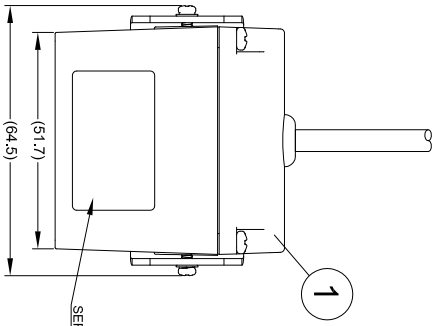
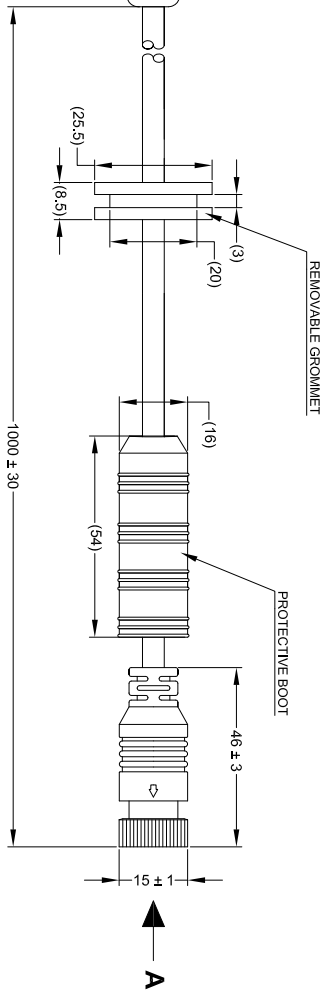
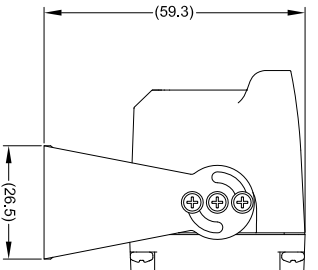
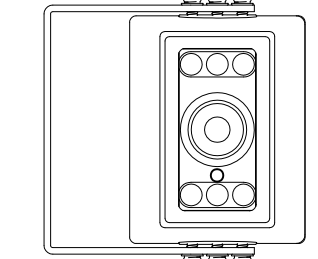
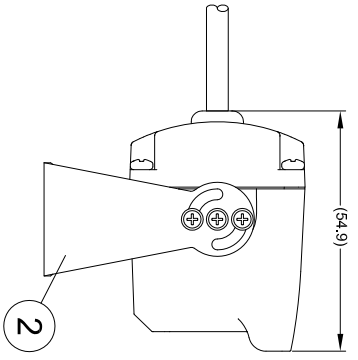


Revision Notes:
 1. CAMERA HOUSING DIMENSIONS REVISED.
 Checked By: JIN Approved By: DK Date Released: 16/12/11

ITEM	STOCK CODE	QTY	DESCRIPTION
1	#3683	1	VBV-620C-C CAMERA ONLY
2	#3683	1	VBV-620C-BKIT CAMERA BRACKET
3	#3683	1	VBV-620C-IF INSTALLATION SLIDE (NOT SHOWN)
4	#3683	1	VBV-620C-IF INSTALLATION SLIDE (NOT SHOWN)



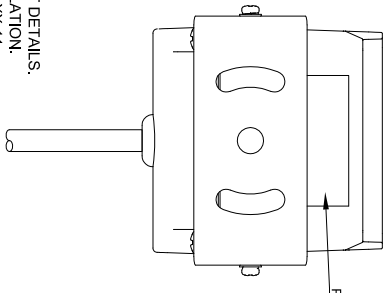
SERIAL NUMBER LABEL LOCATION



VIEW A



PIN #	WIRE COLOUR	DESCRIPTION
1	RED	12 VDC
2	BLACK	GROUND
3	WHITE	NOT CONNECTED
4	YELLOW	VIDEO



- NOTES:**
- REFER TO COMPONENT DRAWINGS FOR COMPONENT DETAILS.
 - ENSURE PROTECTIVE BOOT IS USED DURING INSTALLATION.
 - FOR PRODUCT LABEL REFER TO DRAWING BE-001631-XX-11.
 - FOR SERIAL NUMBER LABEL REFER TO DRAWING BE-001324-XX-10.
 - CONNECTOR A SHOULD BE BLACK.

PROPRIETARY NOTICE
 THIS DESIGN AND TECHNICAL INFORMATION APPEARING ON THIS DRAWING IS THE PROPERTY OF BRIGADE ELECTRONICS, AND IS DISCLOSED IN CONFIDENCE. IT IS NOT TO BE COPIED, REPRODUCED, REVEALED TO OR EXPLOITED BY OTHERS, EITHER IN WHOLE OR IN PART WITHOUT THE EXPRESS WRITTEN CONSENT OF BRIGADE ELECTRONICS.

BRIGADE®
 www.brigade-electronics.com

Assembly PI Approval SV - SHADOW		Approved by DKERALI		Checked by JNEWMAN		Drawn by MBUTLER	
Angle of Projection Third Angle		Units mm	Scale N/A	Released 03/08/11	Assembly Ref SV-CM14650C (PAL)		
Status RELEASED		Stock Code #3683					
Released BE-001632-01-11						Released VBV-620C	